



SEM-LOK PANEL

Fastening Schedule

Sem-Lok Concealed Fastener Panel System Manufacturers Recommended Fastening Schedule

Galvalume Steel

Plywood/ OSB Decking Min. 15/32" outside Miami-Dade Min. 19/32" in Miami-Dade	Field	Perimeter and Corners w/Cleat CL-3 ⁴
Maximum Design Pressure	-52.5 psf	-106.75 psf
Maximum Fastener Spacing	7" on center	7" on center

CopperXT™

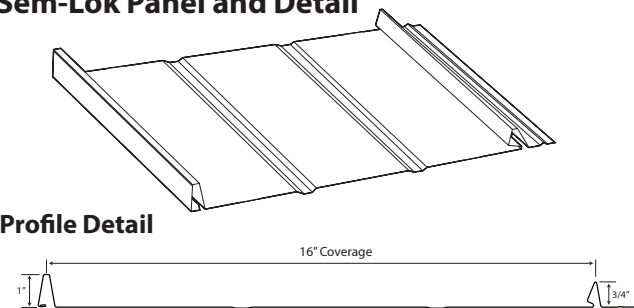
Plywood/ OSB Decking Min. 15/32" outside Miami-Dade Min. 19/32" in Miami-Dade	Field w/Cleat CL-3 ⁴	Perimeter and Corners w/Cleat CL-3 ⁴
Maximum Design Pressure	-77.25 psf	-91.75 psf
Maximum Fastener Spacing	7" on center	7" on center

Aluminum

Plywood/ OSB Decking Min. 15/32" outside Miami-Dade Min. 19/32" in Miami-Dade	Field w/adhesive	Perimeter and Corners w/Cleat CL-3 ⁶
Maximum Design Pressure	-63.75 psf	-120.0 psf
Maximum Fastener Spacing	7" on center	7" on center

1. Extrapolation and rational analysis by a Florida Licensed Architect or Structural Engineer is allowed outside the Miami-Dade HVHZ compliance area. 2. Extrapolation and rational analysis shall not be allowed above the maximum tested design pressures within the Miami-Dade HVHZ compliance area. 3. Interpolation is allowed between Field and Perimeter & Corner test pressure values. 4. See HVHZ CL-3 Cleat in Sem-Lok Detail Manual. 5. For corresponding wind speeds, refer to table 1609.6.2.1(2) of the Florida Building Code.

Sem-Lok Panel and Detail



Testing Data and Specifications

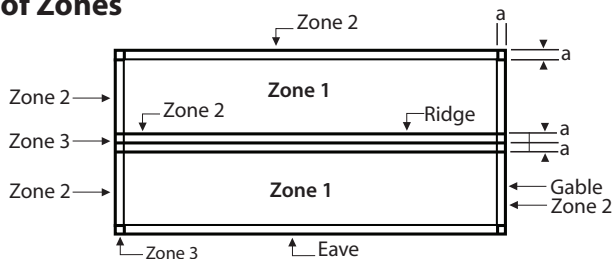
Accelerated Testing of coating 2000 hours per ASTM G23.
Salt Spray testing of coating 1000 hours per ASTM B117.
Fire Testing per ASTM E108 or UL790.
Wind Driven Rain Test per TAS 100.

Code Approvals¹

UL Fire Resistance Directory # R20735
Miami Dade Code Approval NOA # 12-0229.02
Florida Building Code Approval # FL-11175

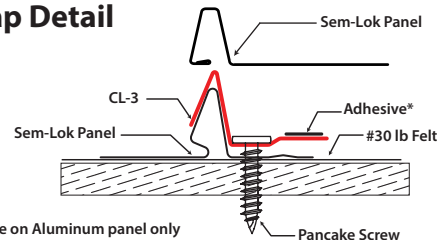
1. Code Approval numbers may have changed since publication. For the most recent code approval numbers, contact Southeastern Metals' Technical Department or refer to the appropriate code agency.

Roof Zones



Note: Dimension (a) is defined as 10% of the minimum width of the building or 40% of the mean height of the roof, whichever is smaller, however, (a) cannot be less than either 4% of the minimum width of the building or 3 feet.

Sidelap Detail



*Adhesive on Aluminum panel only